

AURORALIGHT

PROJECT: _____

SKU #: _____

TYPE: _____

GROUND STAKE

MGS001510

This ground stake is part of the most comprehensive ground stake offering available. The luminaire is held securely in place by simply tightening a single screw.

- Perfect for a variety of soil conditions
- Ideal for lightweight and heavyweight fixtures



CONFIGURATOR:

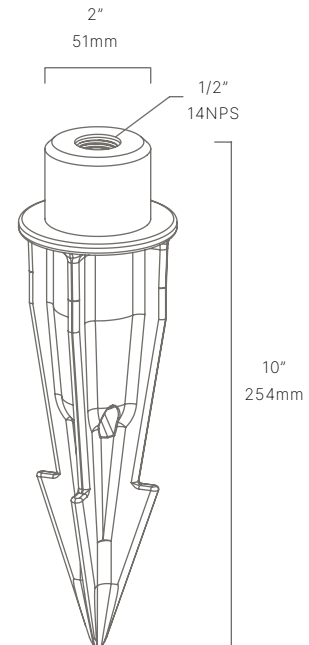
MGS001510	FINISH
() = Most common configuration	<input type="checkbox"/>
	(NAT) Natural Brass
	(BLP) Bronze Living Patina
	(BLPX) Extra Dark BLP
	(NI) Nickel PVD

AVAILABLE FINISHES:



DIMENSIONS	H10" x W2"
VOLTAGE	12V
FINISH	Included Natural Brass
MATERIAL	Brass & ABS Plastic
CERTIFICATIONS	UL, IP66, IP67

*For complete warranty terms, please visit: www.auroralight.com/warranty/



P. 760.931.2910

O. 2742 Loker Ave. W Carlsbad CA 92010

W. www.auroralight.com

MADE IN USA
WITH DOMESTIC & IMPORTED MATERIALS

